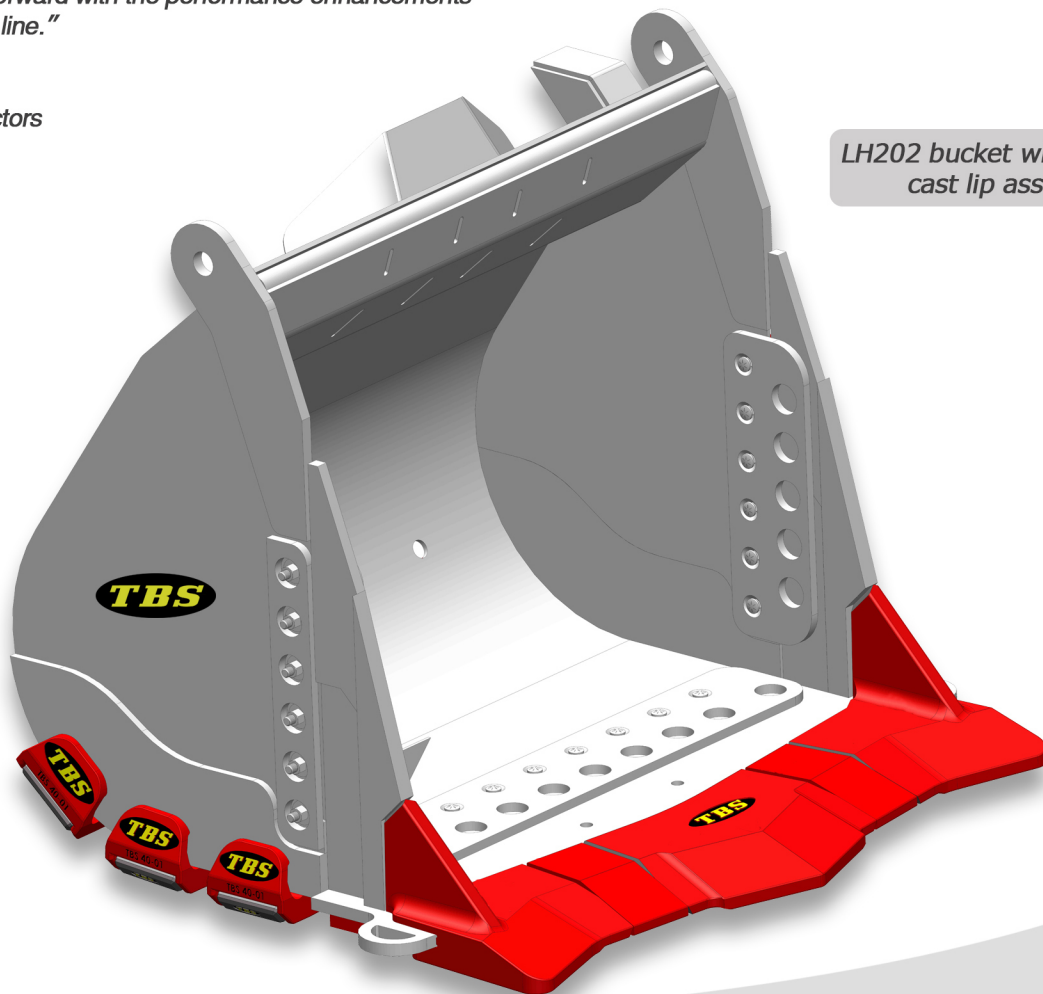




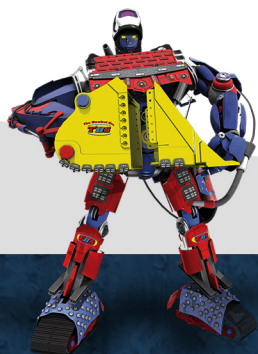
TBS 300 CAST LIP

"We believe in the new TBS branded products and have begun to realize the improved service life brought forward with the performance enhancements they have engineered into this line."

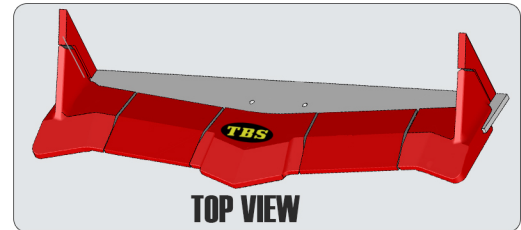
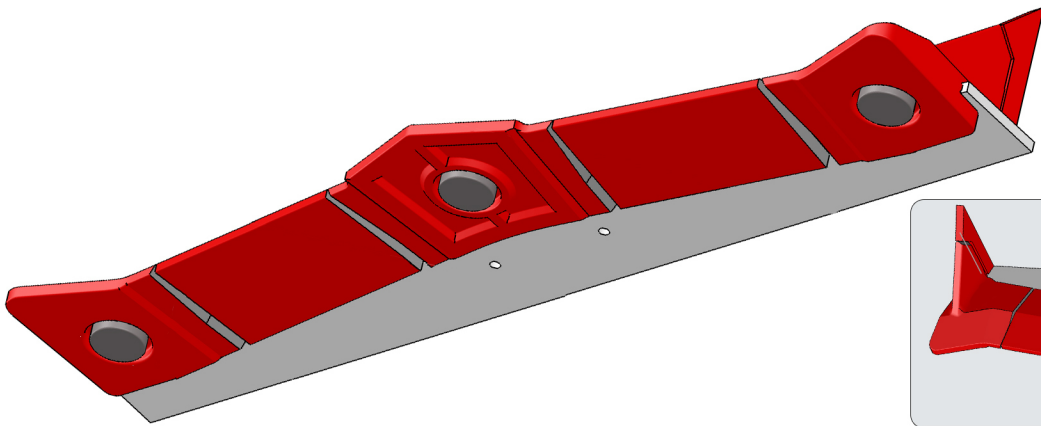
*Roberto Levesque
Alex MacIntyre Mining Contractors*



LH202 bucket with TBS 300 cast lip assembly



TBS 300 CAST LIP



✓ Product Features

- 425 brinell castings coupled with strategically placed 700 brinell specialty alloy inserts
- Designed to accommodate all scoop tram bucket configurations ranging from 1 to 5 y³ (0.8 - 4 m³)
- Self sharpening shrouds provide increased penetration to improve load cycle times and reduce tire wear
- Robust design withstands high impacts, repetitive stresses, and static loads

✓ System Benefits

- Increased lifecycle of 2-3 times
- Reduced downtime
- Increased production
- Easy and efficient installation

✓ Specifications

- 5 piece system design
- 1 to 5 y³ (0.8 - 4 m³) machine capacity
- Complete assembly weight of 676lbs (320kg) with alloy inserts

Helping you
Realize your
Assets Potential!



WWW.THEBUCKETSHOP.CA
705.531.2658 | INFO@THEBUCKETSHOP.CA

